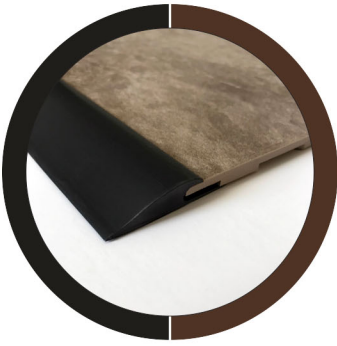


GUIDE TO EDGING



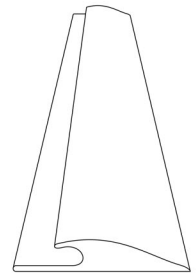
EDGING FOR SLATE, LEATHER & LUXURY VINYL TILE (5mm)



Ideal for home and commercial interiors, this edging fits all Slate, Leather and Luxury Vinyl Tile. It comes in 12 ft (3.66m) lengths and is easily trimmed with a utility knife. Can be cut at 45° angles to create corners for custom mats. Adds 1.125" (4.2cm) to the edge of the tile.

1.125" x 12ft (4.2cm x 3.66m)

Available in Black and Dark Brown.



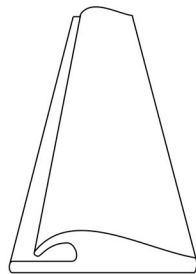
EDGING FOR GARAGES



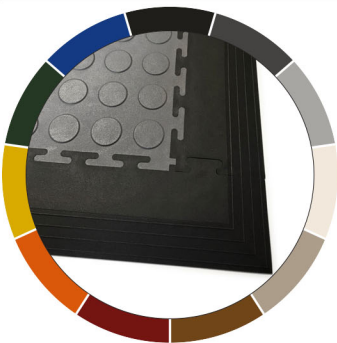
A heavy duty edge designed specifically for the garage, it fits all Coin, Diamond Plate and Commercial tile. Simply adhere to the subfloor with double sided tape for a permanent utility edging. Adds 1.75" (4.45cm) to the edge of the tile.

2.5" (6.35cm) width x (cut to size)

Available in Black, Dark Gray and Light Gray.



INTERLOCKING CORNERS & EDGES FOR DIAMOND PLATE, COIN & COMMERCIAL TILE (5mm)

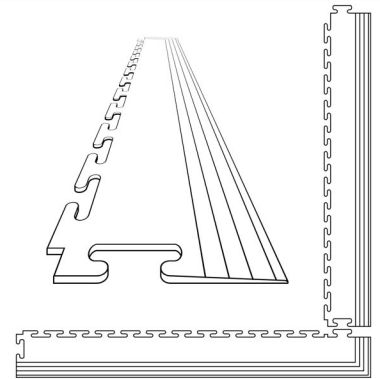


A specially designed interlocking edge and corner system for all Coin, Diamond Plate and Commercial tile. A multitude of colors to compliment any space. Adds 2.5" (6.35cm) to the edge of the tile.

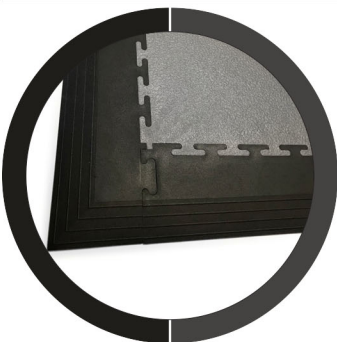
Corners - pack of 4
2.5" x 23" (6.35cm x 58.42cm)

Edges - pack of 4
2.5" x 20.5" (6.35cm x 52.07cm)

Available in Black, Dark Gray, Light Gray, White, Beige, Tan, Red, Orange, Yellow, Green and Blue.



INTERLOCKING CORNERS & EDGES FOR INDUSTRIAL & DUROGYM TILE (7mm)



Interlocking edge and corner system for Industrial and DuroGym tile. Great for work zones or to individualize your workout mat. Adds 2.5" (6.35cm) to edge of tile. May be adhered to subfloor for added stability.

Corners - pack of 4
2.5" x 23" (6.35cm x 58.42cm)

Edges - pack of 4
2.5" x 20.5" (6.35cm x 52.07cm)

Available in Black and Dark Gray.

